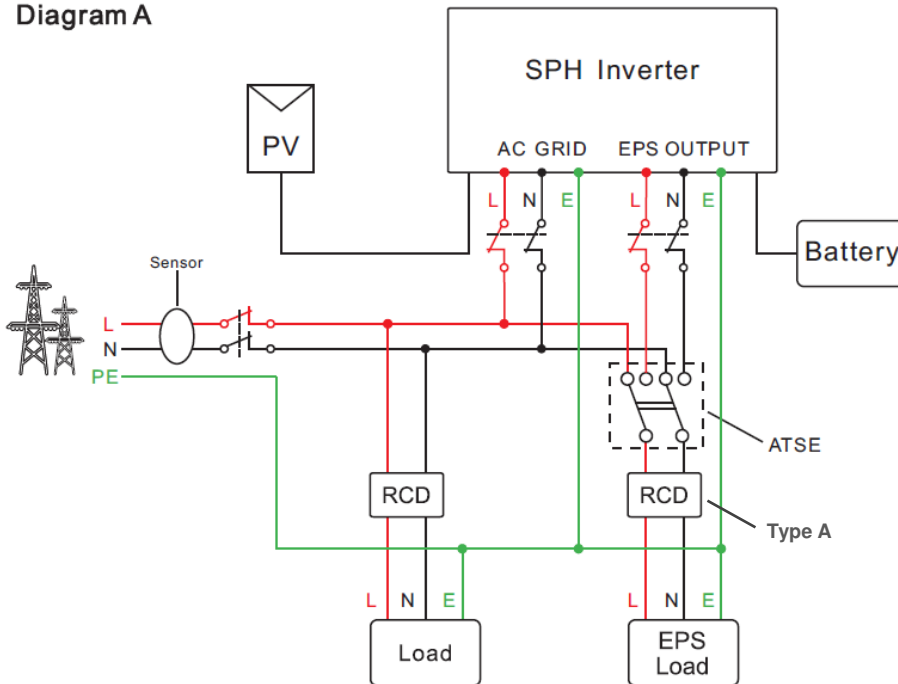


## EPS wiring of SPH inverter

For Europe market, the EPS wiring refer to below diagram:

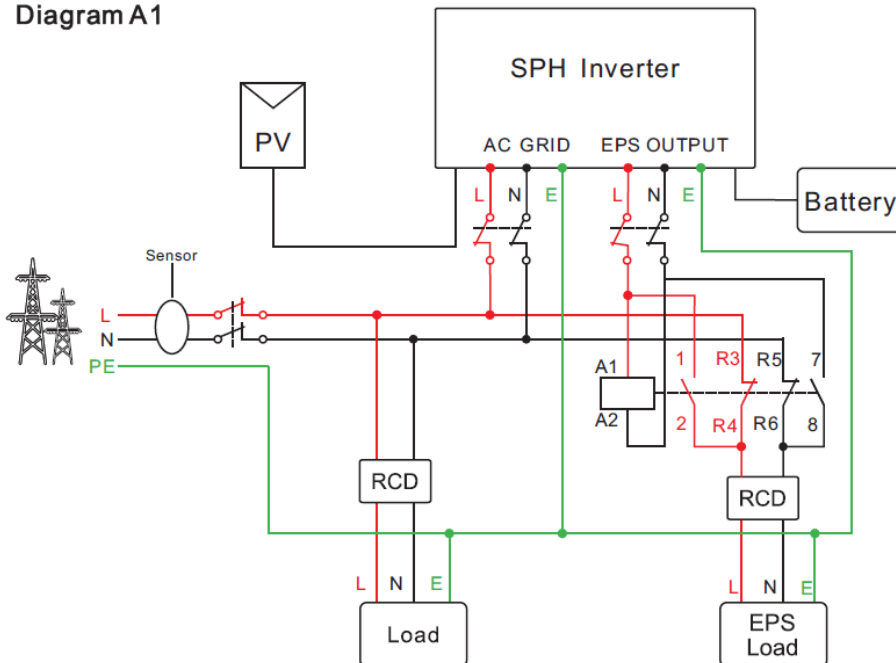
When use ATS, refer to diagram A:

Diagram A



For cost-effective solution, use AC relay instead of ATS, refer to Diagram A1:

Diagram A1



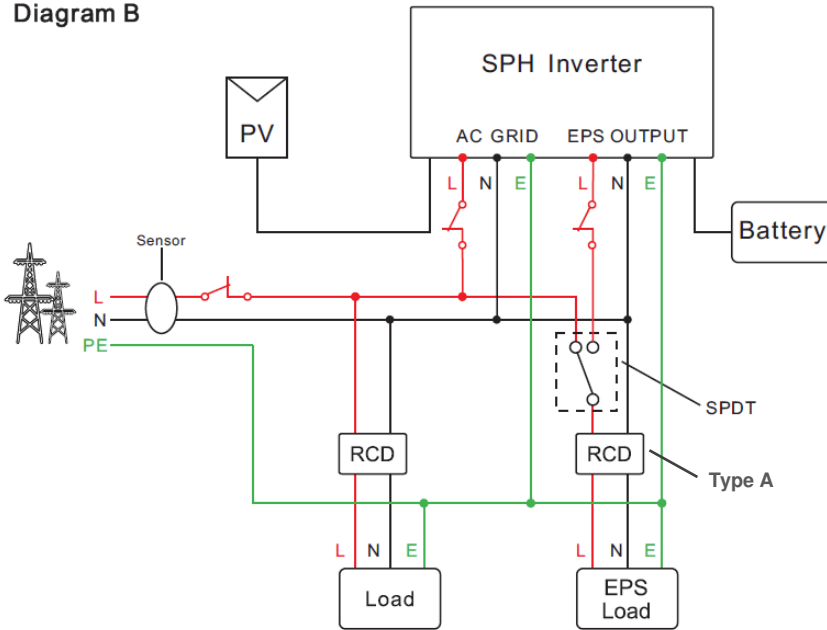
TYPE: ABB ESB40-22. Order code: GHE3491302R0006

Order Code	24 V	230 V	Order Code	3	0.40
GHE3491302R0001	24 V	230 V	ESB40-22	3	0.40
GHE3491302R0006	24 V	230 V		3	0.40

**For Australia and New Zealand market, the EPS wiring refer to below diagram:**

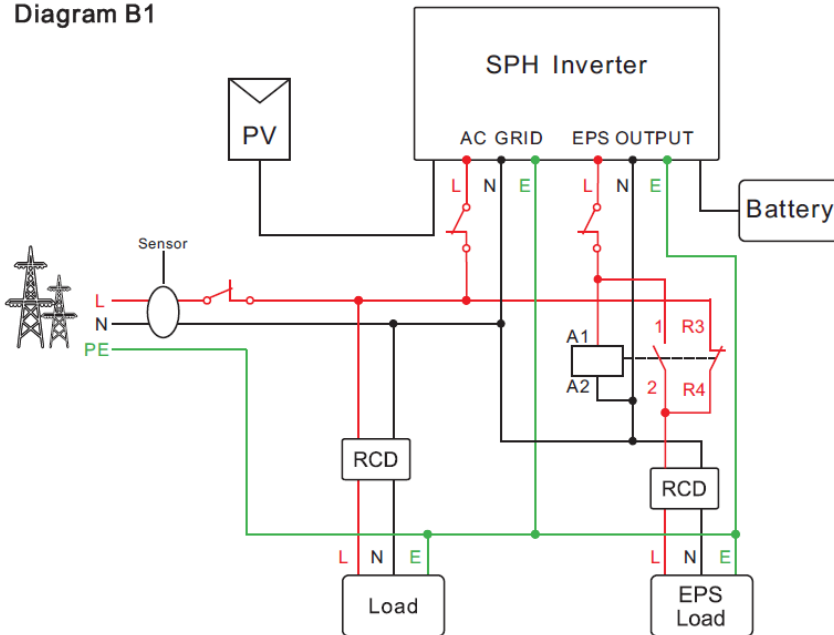
According to Australia and New Zealand local standard, neutral cable need connected when on grid and off-grid working. When use ATS, refer to diagram B:

**Diagram B**



For cost-effective solution, use AC relay instead of ATS, refer to Diagram B1:

**Diagram B1**



Type: ABB ESB63-11, order code: GHE3691802R0006

	3	230 V	230 V	ESB63-11	GHE3691802R0006	3	0.40
1 N.O.	1 N.C.						