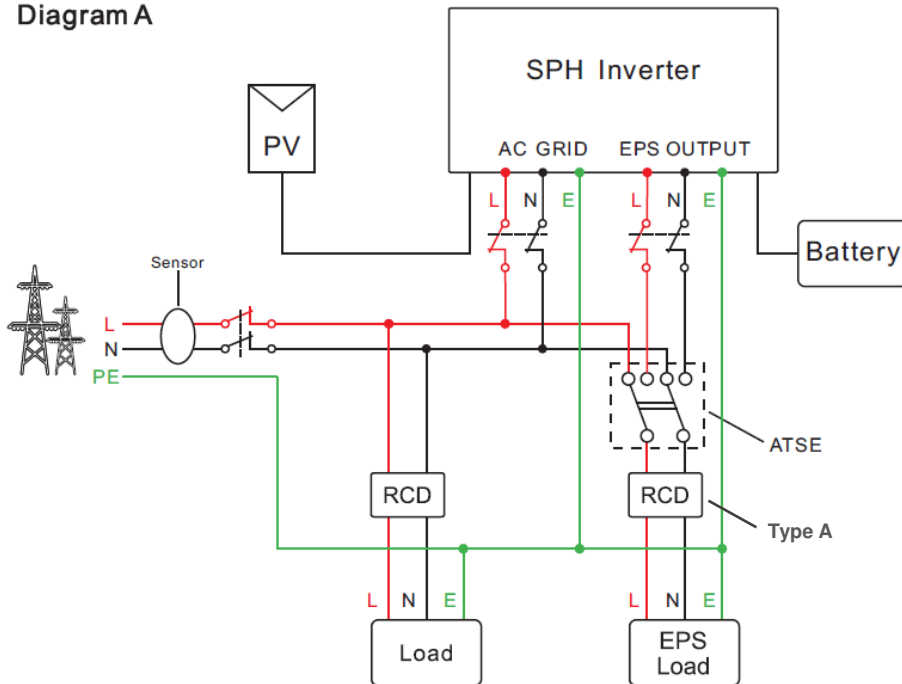


## EPS wiring of SPH inverter

For Europe market, the EPS wiring refer to below diagram:

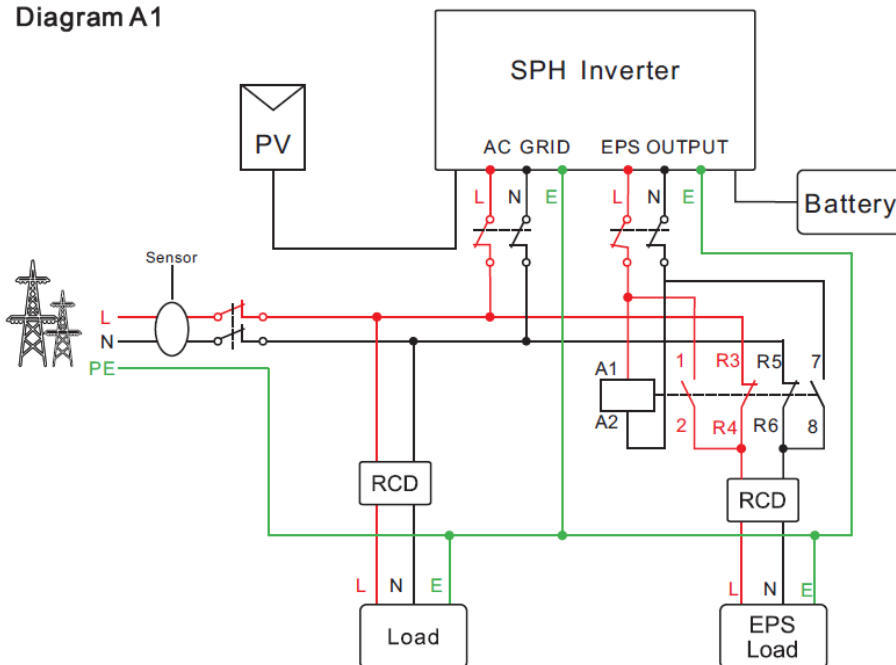
When use ATS, refer to diagram A:

Diagram A



For cost-effective solution, use AC relay instead of ATS, refer to Diagram A1:

Diagram A1



TYPE: ABB ESB40-22. Order code: GHE3491302R0006

Terminal	1	2	3	4	5	6	7	8
A1	1	R3	R5	7				
A2	2	R4	R6	8				

Terminal	1	2	3	4	5	6	7	8
24 V	24 V							
230 V	230 V							

Terminal	1	2	3	4	5	6	7	8
ESB40-22								
GHE3491302R0001								
GHE3491302R0006								

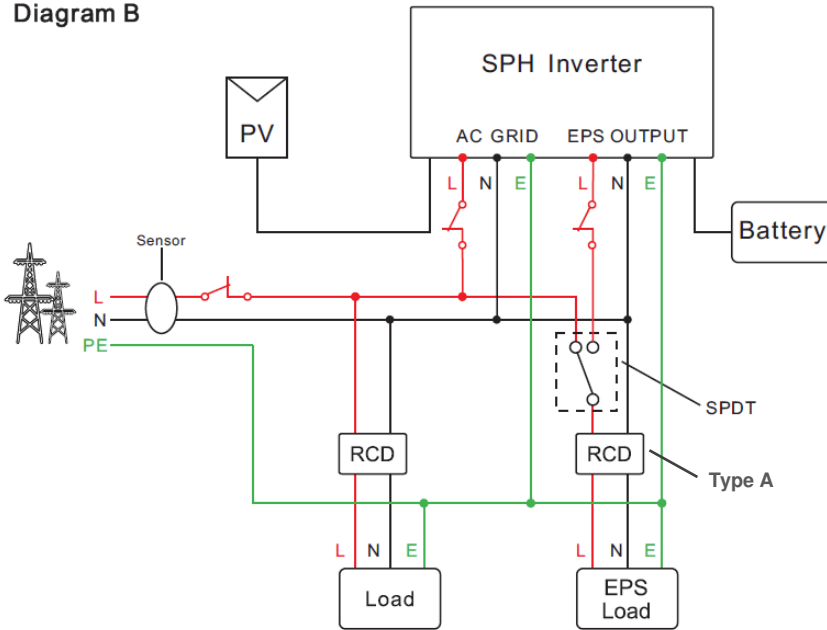
  

Terminal	1	2	3	4	5	6	7	8
2 N.O.								
2 N.C.								

**For Australia and New Zealand market, the EPS wiring refer to below diagram:**

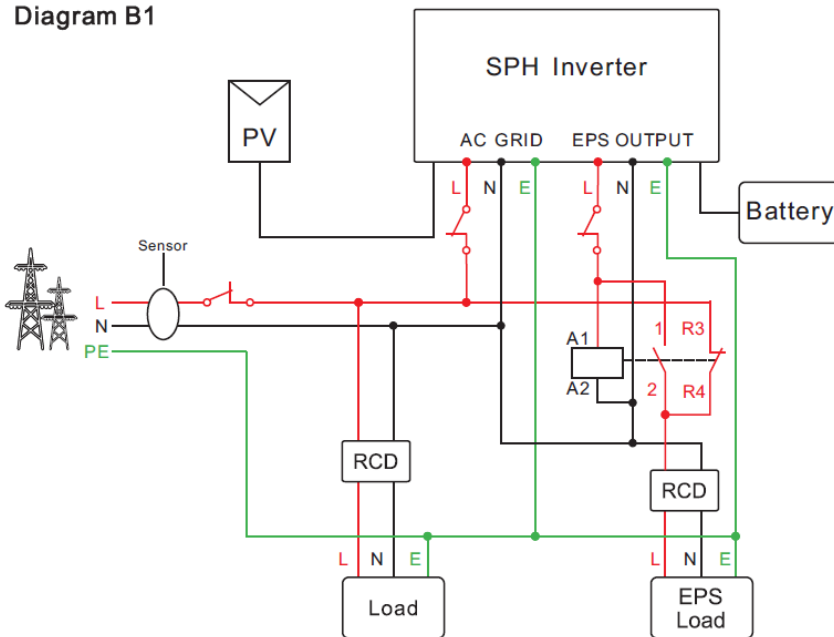
According to Australia and New Zealand local standard, neutral cable need connected when on grid and off-grid working. When use ATS, refer to diagram B:

**Diagram B**



For cost-effective solution, use AC relay instead of ATS, refer to Diagram B1:

**Diagram B1**



Type: ABB ESB63-11, order code: GHE3691802R0006

	3	230 V	230 V	ESB63-11	GHE3691802R0006	3	0.40
1 N.O.		1 N.C.					