



LUNA2000 + Smart Power Sensor Communication Cable Connections with SUN2000 Inverters



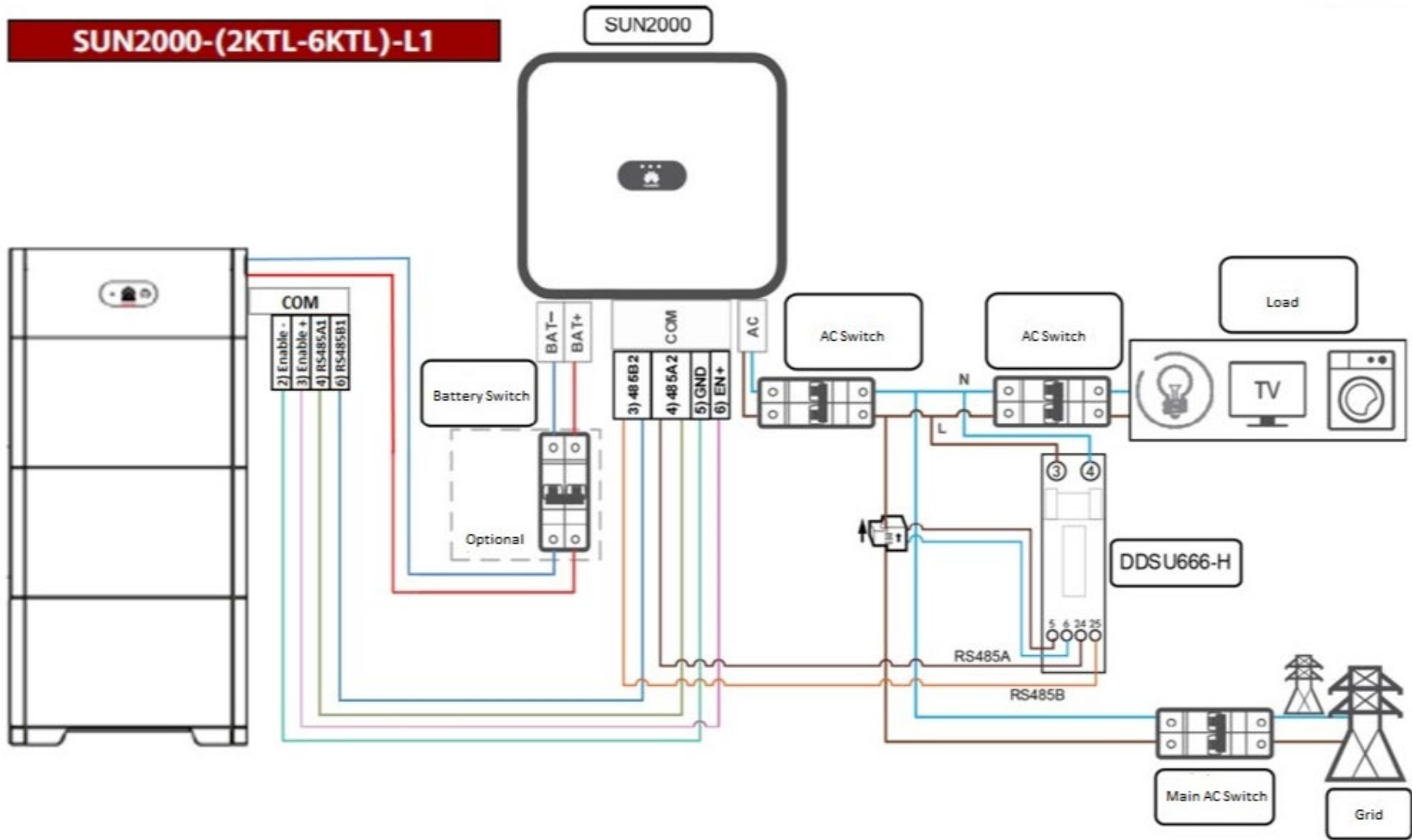
Huawei Technologies Co. Ltd.

Version	Created by	Date	Remarks
03	Huawei mxw535853	20.05.2021	Initial version created

The information in this document may contain predictive statements including, without limitation, statements regarding the future financial and operating results, future product portfolio, new technology, etc. There are a number of factors that could cause actual results and developments to differ materially from those expressed or implied in the predictive statements. Therefore, such information is provided for reference purpose only and constitutes neither an offer nor an acceptance. Huawei may change the information at any time without notice.



LUNA2000 + Smart Power Sensor Communication Cables Connections with SUN2000 – (2 – 6KTL) – L1 Inverters





HUAWEI

LUNA2000 + Smart Power Sensor Communication Cables Connections with SUN2000 – (3 – 12KTL) – M1 Inverters

